



Book Of Savings

ASK US ABOUT OUR **FREE** DELIVERY SERVICE 

Prices Valid
October 1 - 31 2024



Orbital Flare Kit



\$ 210.00

1937685



TIE
TENSIONING TOOL



\$39.19

TY4



SILVER
PG SLOTTED 1-5/8" X 1-5/8"
SINGLE STRUT 12GA 10'



\$52.72

P1000T-10-PG



3/8" - 16
CHANNEL NUT
W/ SPRING



\$1.31

SSN38

AEU/AED UPFLOW/DOWNFLOW
CONVERTIBLE MANUFACTURED HOME
ELECTRIC FURNACE KIT





2024



FALL TRAINING SCHEDULE

OCTOBER

	TIME	COST
1st - Ruud RD17 Installation Overview	(8:00am - 12:00pm)	\$50
3rd - Daikin Mini & Multi-Split Install Course	(8:00am - 4:00pm)	\$100
10th - Ruud A2L Equipment & Coil Sensor Class NEW	(8:00am - 12:00pm)	FREE
15th - Friedrich Breeze Universal Heat Pump Install	(8:00am - 12:00pm)	FREE
17th - Daikin VRV IV S + SkyAir FTQ Course	(8:00am - 4:00pm)	\$100
24th - Ruud Airflow & Duct Design Course	(8:00am - 4:00pm)	\$75
31st - Daikin Mini & Multi-Split Service Course <small>(Dealers Only)</small>	(8:00am - 4:00pm)	\$100

NOVEMBER

7th - HVAC 101 Class NEW	(8:00am - 12:00pm)	FREE
12th - Ruud A2L Equipment & Coil Sensor Class NEW	(8:00am - 12:00pm)	FREE
14th - Daikin VRV IVX & Emerion Install Class	(8:00am - 4:00pm)	\$100
21st - Basic Heat Pump Service & Troubleshooting	(8:00am - 4:00pm)	\$75

DECEMBER

4th & 5th - Daikin VRV IVX & Emerion Commiss.	(8:00am - 4:00pm)	\$200
10th - Ruud A2L Equipment & Coil Sensor Class NEW	(8:00am - 12:00pm)	FREE
12th - Ruud EcoNet Thermostat & Zoning	(8:00am - 4:00pm)	\$75
19th - Friedrich Breeze Universal Heat Pump Install	(8:00am - 4:00pm)	FREE

MAR-HY TRAINING CENTER
 3850 SE INTERNATIONAL WAY
 MILWAUKIE, OR 97222

REGISTER NOW

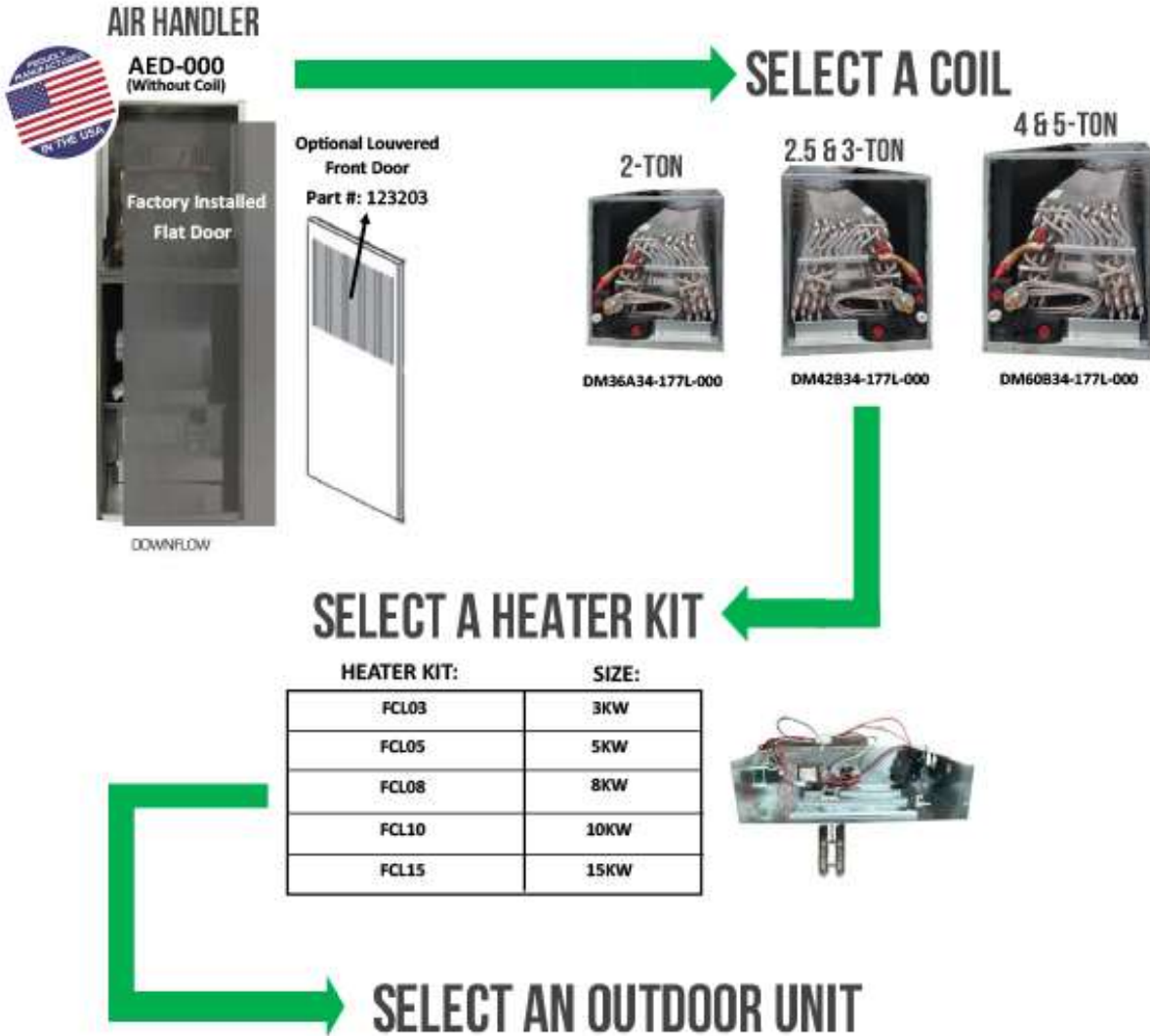




2024
IN STOCK

YOUR MANUFACTURED HOME SOLUTION

AED UPFLOW/DOWNFLOW
CONVERTIBLE MANUFACTURED HOME
ELECTRIC FURNACE



FRIEDRICH

BREEZE



RUUD



HEATING AND COOLING PERFORMANCE AND ELECTRICAL DATA

MODEL	HEAT KIT	PERFORMANCE DATA				ELECTRICAL DATA				
		NOMINAL COOLING [BTUS]	HEATING [KW]		HEATING [KBTUH]		MINIMUM CIRCUIT AMPACITY [MCA]		MAX BREAKER OR FUSE SIZE	
			208V	240V	208V	240V	208V	240V	208V	240V
AE[U/D]	F[C,T]S00	24,000 - 60,000	0	0	0	0	6.8	6.8	15	15
	F[C,T]S03		2.3	3	7.8	10.2	20.3	22.4	25	25
	F[C,T]S05		3.6	4.8	12.6	16.4	28.4	31.8	30	35
	F[C,T]S08		6	8	20.4	27.3	42.8	48.4	45	50
	F[C,T]S10		7.2	9.6	24.5	32.8	50	56.8	50	60
	F[C,T]S15		11.3	14.4	38.5	49.1	50/21.6	56.8/25	50/25	60/25
	F[C,T]S20		14.4	19.2	49.1	65.5	50/43.3	56.8/50	50/45	60/50

BLOWER DATA

MODEL	SPEED TAP	MOTOR HP	MOTOR AMPS	MOTOR VOLTAGE	CFM V. EXTERNAL STATIC*				
					0.10	0.20	0.30	0.40	0.50
AE[U/D]	T1	3/4	5.4	240	940	850	795	740	640
	T2				1155	1070	1015	950	885
	T3				1375	1305	1255	1180	1127
	T4				1500	1430	1375	1315	1260
	T5				1850	1800	1760	1710	1650

AIR HANDLER CHASSIS NOMENCLATURE

AE(U/D)	-001
AE(U/D) = 240V Constant torque ECM Manufactured Housing Electric Furnace	Option Code

ELECTRIC HEAT KIT NOMENCLATURE

F	G	L	03
Electric Heat	<u>Interruption</u> C = Circuit Breaker T = Terminal Block P = Circuit Breaker w/Single Point 3 = 3-Phase Circuit Breaker 4 = 3-Phase Terminal Block	L	<u>Heat Strip</u> 00 = 0 KW 03 = 3 KW 05 = 5 KW 08 = 8 KW 10 = 10 KW 15 = 15 KW 20 = 20 KW

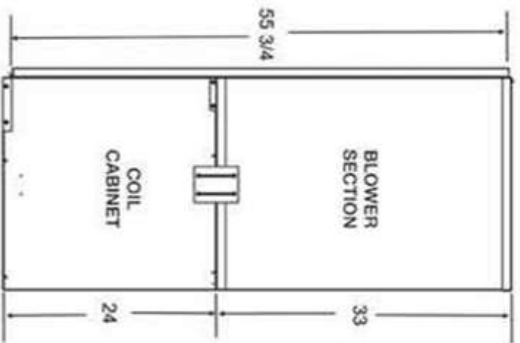
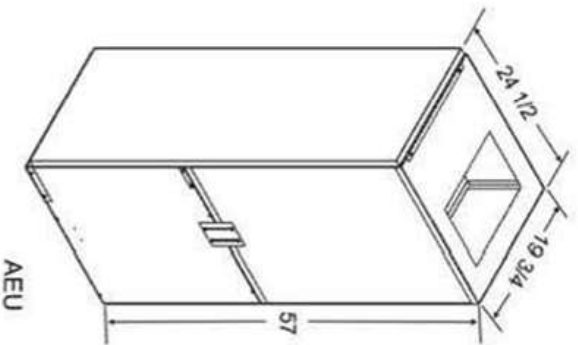
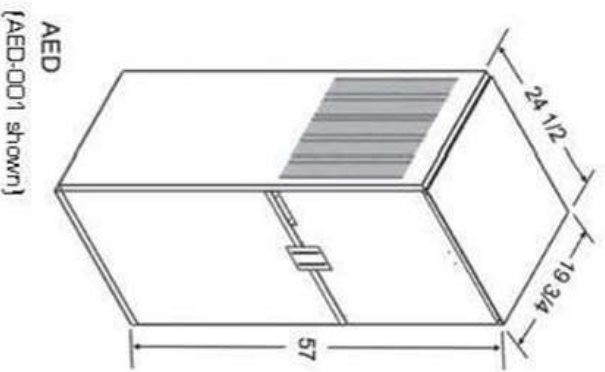
Phone: 281.441.6500
 Toll Free: 800.423.9007
 Fax: 281.441.6510
www.aspenmfg.com



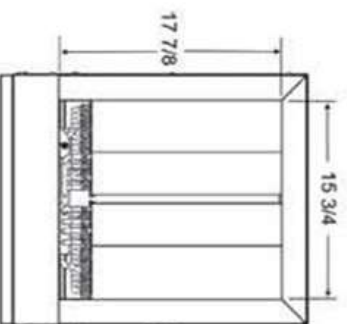
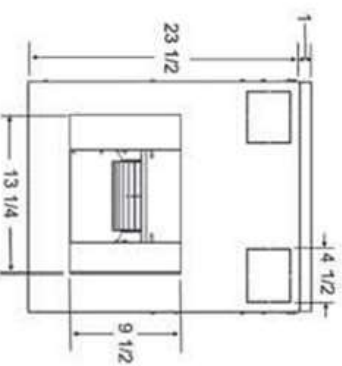
* For complete warranty details visit www.aspenmfg.com.

Revised 05/04/20. In keeping with its policy of continuous progress and product improvement, Aspen reserves the right to make changes without notice and incurring obligation. © 2020

DIMENSIONS



SIDE VIEW
(AEU)



10 YEARS WARRANTY
 Coil

5 YEARS WARRANTY
 Blower Assembly



**TUGBOAT
COMPRESSOR TOTE**



\$61.19

TB100



**EXTENDABLE
COIL CLEANING BRUSH**



\$25.61

CCB100



**PORTA-BLASTER
CATCH ALL BAG**



\$42.50

ZCA24



**MAGNETIC
UMBRELLA
CLAMP**



\$12.38

MUCLAMP

**MAGNETIC
UMBRELLA
KIT**



\$ 55.00

MUKIT



**UMBRELLA
EXTENTION POLE**



\$19.00

MUPOLE

Supco[®]

THE RIGHT CHOICE

ALUMINUM
COIL REPAIR
TECH BAG - BLACK

\$58.13

SW-ACRTB



Supco[®]

THE RIGHT CHOICE

ALUMINUM
COIL REPAIR
TECH BAG - CAMO

\$59.35

SW-ACRTC



Supco[®]

THE RIGHT CHOICE

UNIVERSAL
ECM TESTER

\$ 50.00

ECMPRO



Supco[®]

THE RIGHT CHOICE

FURNACE PRO
SWITCH CLIP

\$ 14.00

FPRO100



Supco[®]

THE RIGH

ACID NEUTRALIZER
KIT

\$ 45.00

HS18002



Supco[®]

THE RIGHT CHOICE

ACID NEUTRALIZER
QSK REFILL

\$ 35.00

HS18022



Supco[®]

THE RIGHT CHOICE

WIRELESS
DIGITAL MULTIMETER
AC

\$ 175.00

IDVM510



Supco[®]

THE RIGHT CHOICE

LED
MEGOHMMETER

\$ 115.00

M500





MAGNETIC TEST LEADS
BLACK

\$ 10.00

MAG1BK



MAGNETIC TEST LEADS
RED

\$ 10.00

MAG1RD



PUSH BUTTON
3 AMP
CIRCUIT BREAKER

\$ 20.00

POP3



PUSH BUTTON
5 AMP
CIRCUIT BREAKER

\$ 20.00

POP5



ULTRA START SERIES
HARD START
(3.5-5T)

\$ 33.00

SPR1



ULTRA START SERIES
HARD START
(1-3T)

\$ 30.00

SPR5



Flame Resistant
Magnetic Blanket

\$ 40.00

SW-MFRB



JUMPER KING
MULTI JUMPER
SELECTOR SWITCHES

\$ 55.00

TFXJK



**Freezy
Low Profile
Condensate Pump**



\$ 126.00

FREEZY



ITEM ID	ITEM DESCRIPTION	SELL PRICE
NICE-RP-LG	5" X 17" x 10" ROOF PASSAGE	\$ 98.00
NICE-RP-SM	5" X 17" x 5" ROOF PASSAGE	\$ 87.00



**STAINLESS STEEL
MAX WALL BRACKET**



\$96.05

MWB-550SS

ITEM ID	ITEM DESCRIPTION	SELL PRICE
SUMO-LG	24" RUBBER SUPPORT W/ STRUT	\$ 110.00
SUMO-M	18" RUBBER SUPPORT W/ STRUT	\$ 97.00

**RUBBER SUPPORT
4"X4"X4"
(SET OF 4)**



\$ 60.00

SUMO-XS

**A/C EASYSEAL
DIRECT INJECT
1-1/2 TO 5T**



\$96.79

4050-08

Efficient Heat Pump Water Heaters

Top Choices by Ruud

Earn a \$150 rebate on every RUUD hybrid water heater ORDERED as we earn your business - Seriously, it's like we're paying you



Top Rated Models

Ruud Professional Ultra™ Hybrid Electric Water Heater (50, 65, and 80 gallons)

Model Numbers: PROUH50, PROUH65, PROUH80

Efficiency:

- Up to 4.0 UEF,
- ENERGY STAR® rated

Capacity:

- Available in 50, 65, and 80-gallon sizes

Features:

- Integrated EcoNet® WiFi technology,
- LeakGuard™ protection
- advanced humidity control

High-Efficiency Model

Efficiency:

- UEF up to 3.8

Capacity:

- 50 and 80-gallon options

Features:

- WiFi connectivity
- smart control
- durable construction



WHY **HYBRID**

An Intelligent Replacement Solution

Flexible install, faster service and an easy sell, the new Ruud® Hybrid Electric Heat Pump Water Heater is the most efficient water heater available. It delivers impressive savings for homeowners—right away with up to \$2000 federal tax credit and local utility rebates,¹ and ongoing with up to \$491 energy cost savings each year.² Plus, it's full of smart features your customers will love—from built-in Wi-Fi to our exclusive LeakGuard™ leak detection and prevention.³



Duct-capable Air Outlet

Easy-to-use Controls

**Easy-access
Condensate Connection**

Easy-service Design

**LeakGuard™ Auto
Water Shut-off Valve³**

**Long-lasting
Brass Drain Valve**

**Built-in 360° Leak
Detection Cable³**

**Demand Response Ready-
EcoPort™ (CTA-2045 Port)**



Duct-capable Air Inlet

UP TO
4X
THE EFFICIENCY
of a standard
electric water
heater



VALVE QUICK-RELEASE

If the actuator communication goes bad between the control and valve, you can replace it without touching the plumbing for faster service.



LEAK SENSOR CHANNEL

Leak sensor replacement is easy by opening the bottom element cover and snaking the new leak sensor down the tube—360° protection, all from the front of the tank.



A CSW Industrials Company

**RSH-50
SURGE PROTECTOR
120/240 V**

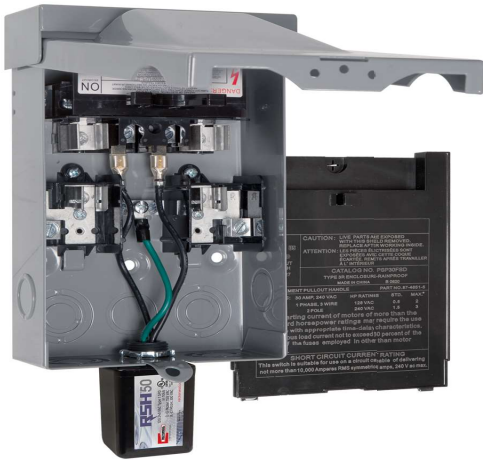
\$66.49

96415

RSH-50 Surge Protective Device (SPD)
for Single-Phase System 120/240 VAC Type 1

Features

- Long-Lasting Gas Discharge Tube Technology
- TFMOV Technology
- Limited Lifetime Warranty
- Green LED Easily Indicates Protection
- Weather-Rated under NEMA 4X



RSH-50 with 30A Fused Disconnect

Disconnect Box with a pre-installed RSH-50 Surge Protector. Our RSH-50 is tabbed into the disconnect, to avoid any potential code violations with multiple wires being lugged in.

Features

- Fused Disconnect Box
- Long-Lasting Gas Discharge Tube Technology
- TFMOV Technology
- Green LED Easily Indicates Protection

Designed to protect all single phase, 120/240-V air conditioning, heat pumps and ductless mini-split systems (DMSS) from transient over-voltage and natural-cause surges.



RECTORSEAL

A CSW Industrials Company

**30A FUSED DISCON
W/
RSH-50 SURGE PROTECTOR**

\$111.90

96417



A CSW Industrials Company

**60A FUSED DISCON
RSH-50
SURGE PROTECTOR**

\$121.17

96418

RSH-50 with 60A Fused Disconnect

Disconnect Box with a pre-installed RSH-50 Surge Protector. Our RSH-50 is tabbed into the disconnect, to avoid any potential code violations with multiple wires being lugged in.

Features

- Fused Disconnect Box
- Long-Lasting Gas Discharge Tube Technology
- TFMOV Technology
- Green LED Easily Indicates Protection

Designed to protect all single phase, 120/240-V air conditioning, heat pumps and ductless mini-split systems (DMSS) from transient over-voltage and natural-cause surges





**8OZ TRU-BLUE
PIPE THREAD
SEALANT**



\$ 14.26

31551



**1/4" X 3'
FLEX HOSE
NOKINK**



\$ 70.00

66731



**3/8" X 3'
FLEX HOSE
NOKINK**



\$ 65.00

66733



**5/8" X 3'
FLEX HOSE
NOKINK**



\$ 75.00

66735



**12OZ GULFCOAT
AEROSOL
CLEAR**



\$ 25.00

80400



**6X6 4 Way Grille/Damper
Box 4,5,6"**



\$ 26.46

81904



**8X8 4 Way Grille/Damper
Box 6,7,8"**

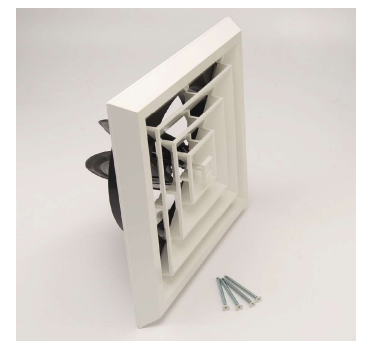


\$ 31.00

81914



**8X8 4 Way Grille
with Damper**



\$ 22.00

81944



8X8 Multi-Size Register Box



\$ 14.00

81968



**PVC Pipe Adapter
1/2" 5/8" to 3/4"**



\$ 5.00

83020



**Aspen
Mini Tank Pump
230 Volt**



\$ 200.00

83941



**Aspen Xtra
3/4"X5/8"
Pipe-Pipe Connector**



\$ 18.00

83977



**OUTLET SEAL
FLASHING**



\$ 35.00

84006



**LINESET COVER
CUTTER**



\$ 47.00

84380



Safe-T-Switch SSW



\$ 40.00

97092



**Safe-T-Switch
SS3 (Legacy)
24Pk**



\$ 12.00

97647



**Bracket
Wall Condenser
300 lb.**



\$ 75.00

87733



**Bracket
Wall Condenser
500 lb.**



\$ 115.00

87735



**Universal Brackets
Slab Condenser Stand
176 lb.**



\$ 125.00

87743



**Pink R410 Cap
5/16" thread, 2 pk**



\$ 20.00

86672



**Novent Silver Uni Cap
1/4" thread
50 pk**



\$ 375.00

86693



**Universal Brackets
Duplex Condenser Stand
36" 176 lb.**



\$ 275.00

87744



**Drain Adapters
Mini Split Systems
RED 18MM
(2 PK)**



\$ 14.00

89713



RSH-50 VRM KIT



\$ 232.00

96421



**Mini-Stick UV
120/230V**



\$ 127.00

89271



**Drain Adapters
Mini Split Systems
Yellow 16MM
(10 PK)**



\$ 50.00

89712



**Aspen Pumps
Mini White
Silent+ condensate pump**



\$ 244.00

ASP-MW-UNI



**Safe-T-Switch
SS1 (Legacy)
24Pk**



\$ 26.00

SS1



**Mighty Bracket
Mini-split installation
support tool**



\$ 145.00

97705



**Aspen Mini
Aqua 230V
Silent Plus**



\$ 260.61

ASP-MA-UNI



**Universal Brackets
Slope Condenser Bracket
250 lb.**



\$ 115.00

87745

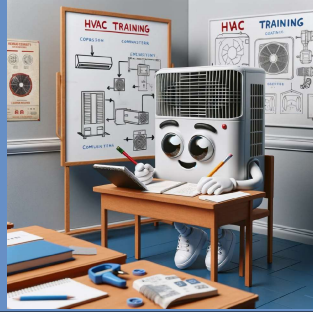


**A/C EASY SEAL
DIRECT INJECT
(W/ UV DYE)**



\$85.37

4050-11



Mar-Hy Distributors: Leading the Way in HVAC Training

Unlock Your Potential with Our Expert-Led HVAC Training Classes

At Mar-Hy Distributors, we are committed to empowering HVAC professionals with the knowledge and skills they need to excel in their careers. Our comprehensive training classes are designed to cover all aspects of HVAC systems, from fundamental principles to advanced techniques.

Why Choose Our HVAC Training?

- **Expert Instructors:** Learn from industry experts with years of hands-on experience.
- **Comprehensive Curriculum:** Our classes cover a wide range of topics, including installation, maintenance, troubleshooting, and the latest industry advancements.
- **Hands-On Experience:** Gain practical skills through interactive sessions and real-world simulations.
- **Flexible Scheduling:** We offer classes at various times to fit your busy schedule.
- **Certification:** Receive certification upon successful completion of our training programs

Join the Mar-Hy Distributors Community Today!

Stay ahead of the curve with the best HVAC training in the industry. Don't miss out on this opportunity to enhance your skills and advance your career. Scan the QR code now to get started!

Ready to Take the Next Step?

*Scan the QR Code
to view our
training schedule
and sign up online!*



Register your new Malco tools today

and receive a

FREE

Malco Tumbler

through the end of October



malcotools.com/register-product



GIVEAWAY!

***Receive a Free Malco Tumbler
with a New Product Registration**



***Limit 1 Tumbler per person**

Malco®

Work. Perform. Outlast.

Malco®

Work. Perform. Outlast.

FOLDING TOOL
3/8" & 1", 12"



\$15.48

12F

Malco®

Work. Perform. Outlast.

FOLDING TOOL
18" 3/8 -1"



\$21.61

18F

Malco®

Work. Perform. Outlast.

FOLDING TOOL
24" 3/8 -1"



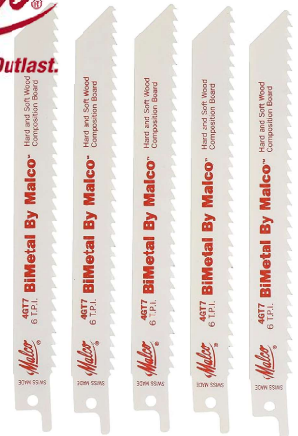
\$28.61

24F

Malco®

Work. Perform. Outlast.

RECIPROCATING
BI-METAL BLADE
6L 6T



\$14.81

4GT7

Malco®

Work. Perform. Outlast.

RECIPROCATING
BI-METAL BLADE



\$18.12

4KH6

Malco®

Work. Perform. Outlast.

RECIPROCATING BLADE
HCS 6L 7T



\$11.90

4KH7



Work. Perform. Outlast.

RECIPROCATING
BI-METAL BLADE
6L 10T



\$14.81

4GT10



Work. Perform. Outlast.

RECIPROCATING
BI-METAL BLADE
6L 8T



\$18.12

4KH8



Work. Perform. Outlast.

RECIPROCATING BLADE
HCS, 6L, 6T



\$17.81

4S6



Work. Perform. Outlast.

RECIPROCATING BLADE
HCS, 6L, 8T



\$15.55

4S8



Work. Perform. Outlast.

RECIPROCATING
BI-METAL BLADE
6L 14T



\$14.81

4TF14



Work. Perform. Outlast.

RECIPROCATING BLADE
HCS, 6L, 18T



\$14.81

4TF18



Work. Perform. Outlast.

RECIPROCATING
BI-METAL BLADE
9L



\$23.15

8KH7



Work. Perform. Outlast.

8" PROGRESSIVE
PURPOSE
RECIPROCATING BLADE



\$24.83

8PAP



**RECIPROCATING BLADE
8" PROG WOOD**



\$18.30

8PWB



UTILITY KNIFE



\$10.03

9PK



SHEET METAL SCRIBE



\$8.06

A40



**SCRIBER
CARBIDE TIPPED**



\$13.02

A50



**SNIPS
AVIATION
LEFT CUT**



\$14.92

AV1



**SNIPS
AVIATION
RIGHT CUT**



\$14.92

AV2



**MINI SNIPS
AVIATION
LEFT CUT**



\$14.27

AVM6



**MINI SNIPS
AVIATION
RIGH CUT**



\$14.27

AVM7



**POWER ASSISTED
CRIMPER**



\$142.56

C5A2



**PIPE CRIMPER
5 BLADE**



\$36.37

C5R



**CAULKING TOOL
1/10 GAL**



\$6.94

CG12



HAND RIVETER



\$34.97

CR18



**DUCT KNIFE
SERRATED**



\$15.68

DK6S



DUCT STRETCHER



\$27.18

DS1



**DUCT STRETCHER
OFFSET**



\$28.82

DS2



**FLEX DUCT
CUTTER**



\$46.14

FDC1



METAL
HOLE CUTTER 2-12"



\$70.00

H C1



METAL
HOLE CUTTER
LARGE



\$89.13

H C2



1/4"
LONG
HEX DRIVER



\$12.91

HHD1



1/4"
STANDARD
HEX DRIVER



\$12.45

HHD1S



5/16"
LONG
HEX DRIVER



\$13.29

HHD2



5/16"
STANDARD
HEX DRIVER



\$12.65

HHD2S



3/8"
LONG
HEX DRIVER



\$13.57

HHD3



3/8"
STANDARD
HEX DRIVER



\$12.90

HHD3S



ITEM ID	ITEM DESCRIPTION	SELL PRICE
HW8X1/2ZT	8 X 1/2 ZIP SCREW 1000	\$ 24.68
HW8X1/2Z	8 X 1/2 ZIP SCREW 12000	\$ 273.45



ITEM ID	ITEM DESCRIPTION	SELL PRICE
HW8X1 1/2ZT	8 X 1 1/2 ZIP SCREW 250	\$ 13.94
HW8X1ZT	8 X 1 ZIP SCREW 500	\$ 20.22
HW8X1Z	8 X 1 ZIP SCREW 7000	\$ 256.63



ITEM ID	ITEM DESCRIPTION	SELL PRICE
HW8X2ZT	8 X 2 ZIP SCREW 250	\$ 18.69
HW8X2Z	8 X 2 ZIP SCREW 2300	\$ 152.92

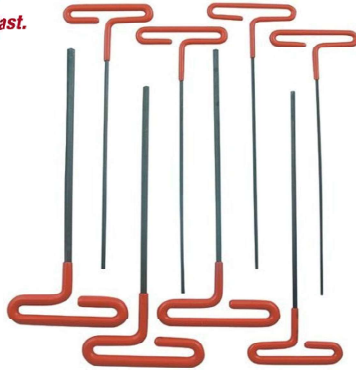


ITEM ID	ITEM DESCRIPTION	SELL PRICE
HW8X3/4ZT	8 X 3/4 ZIP SCREW 1000	\$ 32.09
HW8X3/4Z	8 X 3/4 ZIP SCREW 10,000	\$ 303.11



Work. Perform. Outlast.

T-HDL HEXKEY GRIP
9", 1/8"



\$38.51

WT9SG



Work. Perform. Outlast.

POCKET LEVEL
5"



\$6.64

L5



Work. Perform. Outlast.

9" MAGNETIC
TORPEDO LEVEL



\$21.68

L9M



Work. Perform. Outlast.

SNIP STEEL
REG PATTERN



\$30.23

M9



Work. Perform. Outlast.

DUAL-SIDED HEX



\$5.23

MSHC



Work. Perform. Outlast.

MASTIC
CUTTING TOOL
1/4" & 5/16" X2"



\$21.36

MSHCST



Work. Perform. Outlast.

MASTIC
CUTTING TOOL
1/4" & 5/16" X6"



\$25.64

MSHCXLCST

DUAL-SIDED
HEX 6"



\$16.33

MSHXLC



**NOTCHER, HAND
1" DEPTH**



\$56.32

N2R



**6 IN 1
SCREWDRIVER**



\$10.06

RD6



**RATCHET WRENCH
4-SIZE**



\$15.96

RRW3



**RATCHET WRENCH
SQ/HEX DR**



\$19.38

RRW4



**RATCHET WRENCH
OFFSET**



\$17.35

RRW5



**HAND SEAMER
3"**



\$53.10

S2R



CRIMPER, PIPE



\$38.36

SC3R



**LEATHER GRIP
SETTING HAMMER**



\$56.50

SH3



**SNAP LOCK PUNCH
METAL**

Malco's SL1R Sheet Metal Snap Lock Punch raises a louvered shaped projection on metal edges for quickly locking metal pieces securely together. Punch impressions are spaced 3/8 in. from the metals edge. The heavy forged cutting jaw has a rust resistant nickel plate and black oxide finish.



\$56.84

SL1R



**TIE
TENSIONING TOOL**



\$39.19

TY4



**TIE TOOL
STANDARD GRIP**



\$42.30

TY4G



**TIE
TENSIONING TOOL**

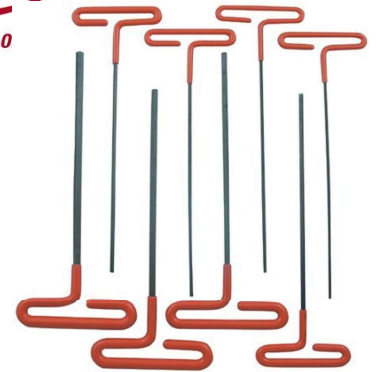


\$55.49

TY6



**T-HDL HEXKEY SET
6", 8-PIECE**



\$36.20

WT6SG

ASK US ABOUT OUR **FREE**
DELIVERY SERVICE





Scratch Awl
7/32 Blade Diameter

\$ 4.64

A1



A60
Sheet Metal Scribe

\$ 12.54

A60



AV3
Combo Cut
Aviation Snip

\$ 17.55

AV3



CBB Replacement
Cutter Bits
for HC1 or HC2

\$ 13.93

CB



1-Inch By 25-Foot
Non-Magnetic
Tape Measure

\$ 13.33

CT425



Fin Straightening Tool

\$ 14.56

FST



Hole in One
Hole Saw
2 inch Diameter

\$ 26.58

H32



Arbor
for Hole Saws

\$ 25.62

HA3





REGISTRY SCREWS
WHITE

\$ 6.07

HW8X11/2ZWG



Forged Steel Snips
Bulldog Pattern

\$ 88.33

M15



Aviation Snips
Left Cut

\$ 37.88

M2001



Aviation Combo
Cut Snip

\$ 37.88

M2003



8 mm & 10 mm
2 in. Cleanable
Hex Nut Driver

\$ 7.09

MSHCM2



1/4 inch Magnetic
Hex Chuck Driver

\$ 13.73

MSHXL14



7-in-1 C-RHEX®
Flip Bit
#2 Phillips Model

\$ 20.10

MTP2



Red Lip
Plastic Anchor Kit

\$ 27.83

PA1012K





**RED LIP
PLASTIC ANCHORS
WITH SCREWS**



\$ 15.05

PA1416K



**Hex Key
Ratchet Wrench Insert
3/16"**



\$ 8.79

RRW316



**Hand Seamer
Offset 3"**



\$ 69.10

S3R



**Square Head
Chuck Drivers
Red (Pack/2)**



\$ 4.68

SD2P



Snap Lock Punch



\$ 51.93

SL2R



**Combination
Swaging Punch**



\$ 43.30

ST94



**Straight
Double Point Blades
Durable (Pack/50)**



\$ 20.61

UBS50



**HEX KEY SET
9PC**



\$ 12.28

W-29



Attention HVAC Contractors!

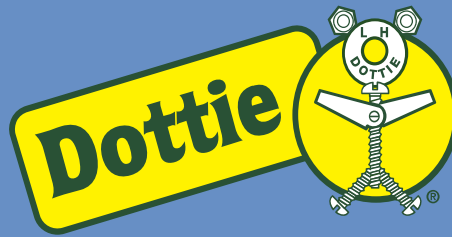
Streamline Your Warranty Returns

Save time and ensure hassle-free processing by using our online warranty return form. Scan the QR Code below to quickly access the form and get started.

Or go to marhy.com/warranty-return



ASK US ABOUT OUR **FREE** DELIVERY SERVICE 



**2 LB BAG
NEW WHITE
KNIT RAGS**

\$18.70

RGZ2



**24 IN 1
PRECISION
SCREWDRIVER**

\$53.85

D241



ITEM ID	ITEM DESCRIPTION	SELL PRICE
WDK6N	#6 NYLON WALLDRILLER ANCHOR KIT	\$ 20.63
WDK8N	#8 NYLON WALLDRILLER ANCHOR KIT	\$ 25.59



ITEM ID	ITEM DESCRIPTION	SELL PRICE
WDK6	#6 ZINC ALLOY WALLDRILLER ANCHOR KIT	\$ 20.63
WDK8	#8 ZINC ALLOY WALLDRILLER ANCHOR KIT	\$ 25.59



14.5" UV
BLACK HEAVY DUTY
CABLE TIE



\$19.86

DT14HB



21" UV
BLACK HEAVY DUTY
CABLE TIE



\$30.12

DT21HB



15" UV
BLACK MOUNTING HC
CABLE TIE



\$52.70

DTM14B



13 PC HIGH SPEED
STEEL DRILL KIT



\$23.01

M213



29 PC HIGH SPEED
STEEL DRILL KIT



\$105.26

M229



1/4" X 3"
MAGNETIC BIT
HOLDER



\$14.03

MBH



10' SLOTTED STRUT
GALV.

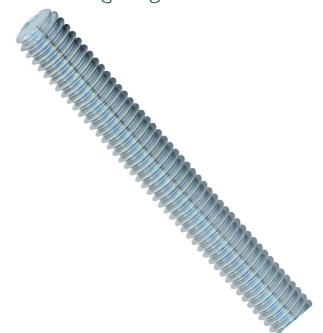


\$52.72

P1000T-10-PG



3/8"-16 X 10'
THREADED ROD



\$18.71

ROD38



3/8"-16 X 6'
THREADED ROD



\$14.94

ROD386



3/8"-16
WOOD SIDE MOUNT
ROD



\$3.13

SSW38S



3/8"-16
XL WOOD
BOTTOM MOUNT ROD



\$3.07

SSW38BXL



3/8"-16 ROD
COUPLING NUT



\$0.72

RC2



2 HOLE FLAT
PLATE FITTING



\$3.63

SFP2



3/8"-16 X 3/4"
HEX HEAD
TAP BOLT



\$0.25

MB3834



3/8"-16 X 1-14"
HEX HEAD
TAP BOLT



\$0.35

MB38114



Part Number	Item Descriptions	Sell Price
SC50R	1/2" RIGID STRUT CLAMP	\$ 1.29
SC75R	3/4" RIGID STRUT CLAMP	\$ 1.45



Part Number	Item Descriptions	Sell Price
SC100U	1" UNIVERSAL STRUT CLAMP	\$ 2.96
SC200U	2" UNIVERSAL STRUT CLAMP	\$ 3.01
SC300R	3" RIGID STRUT CLAMP	\$ 3.96



**4 HOLE BENT
90 DEGREE
ANGLR FITTING**



\$6.57

SAF490



**2 HOLE BENT
90 DEGREE
ANGLE FITTING**



\$3.17

SAF290



**3/8" - 16
CHANNEL NUT
W/ SPRING**



\$1.31

SSN38



**3/8" - 16
CHANNEL NUT**



\$1.31

SCN38



**3/8" - 16
HEX NUT**



\$0.17

HN38



**3/8"
SQUARE WASHER**



\$1.95

SQW38



**3"
SPEED-D-FEED
BIT**



\$125.00

SDF300



**#6
ASSORTED WOOD
ROCKET KIT**



\$24.76

WR6



3/8" LOCK WASHER



\$0.05

LW38



**SILVER
PG SLOTTED 1-5/8" X 1-5/8"
SINGLE STRUT 12GA 10'**



\$52.72

P1000T-10-PG



Stay connected with Mar-Hy Distributors and never miss out on our latest news, updates, and events!

Scan the QR codes below to follow us on social media.



hilmar®

hilmar®

Orbital Flare Tool
3/16" - 3/4"



\$ 177.74

1838952

hilmar®

Compact
Swage Tool Kit
with Case
3/8" - 7/8"



\$ 577.97

1839015

hilmar®

Hex Key
Folding Set
5/64" to 5/32"



\$ 14.12

1839048

hilmar®

6" Adjustable
Crescent Wrench
with
Rubber Handle Grip



\$ 26.37

1885369

hilmar®

6"
Long Nose Pliers
with
Rubber Handle Grip



\$ 25.04

1885397

hilmar®

6in
Diagonal Cutting
Pliers



\$ 26.22

1885412

hilmar

8"
Wire Stripper
with
Rubber Handle Grip



\$ 25.71

1885424

hilmar

Forged
Crimping Tool
10"



\$ 33.84

1885429

hilmar

Folding
Utility Knife
Handle



\$ 19.37

1885433

hilmar

Precision
Screwdriver Set
with Storage Pouch



\$ 42.60

1891089

hilmar

Aviation Snip
Left Cut



\$ 39.96

1891133

hilmar

Aviation Snip
Right Cut



\$ 27.75

1891134

hilmar

Offset
Right-Cut
Aviation Snips



\$ 34.16

1891138

hilmar

Hex Key
Folding Set
Metric



\$ 14.40

1891472

hilmar

Compact
Bender Kit with
Reverse Bending
Attachment



\$ 317.91

1926598

hilmar

4' Hose
with
Ball Valve End



\$ 137.94

1935917

hilmar

Orbital Flare Kit



\$ 210.00

1937685

hilmar

Magnetic
Nut Driver Set



\$ 87.74

1937911

hilmar

Digital
Adjustable
Torque Wrench

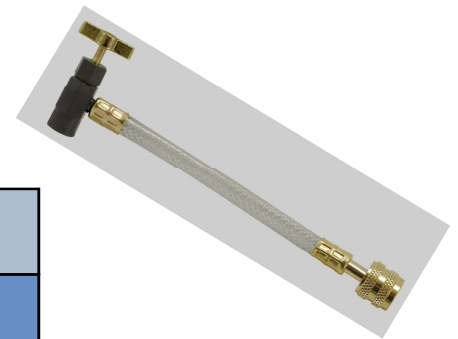


\$ 238.90

1963826

hilmar

Charging Hose
for
Vacuum Packed
Cans



\$ 16.66

20122

ASK US ABOUT OUR **FREE** DELIVERY SERVICE 



Mar-Hy Distributors
3850 SE International Way
Milwaukie, Oregon 97222

Telephone: 503.353.0100

ASK US ABOUT OUR **FREE** DELIVERY SERVICE 